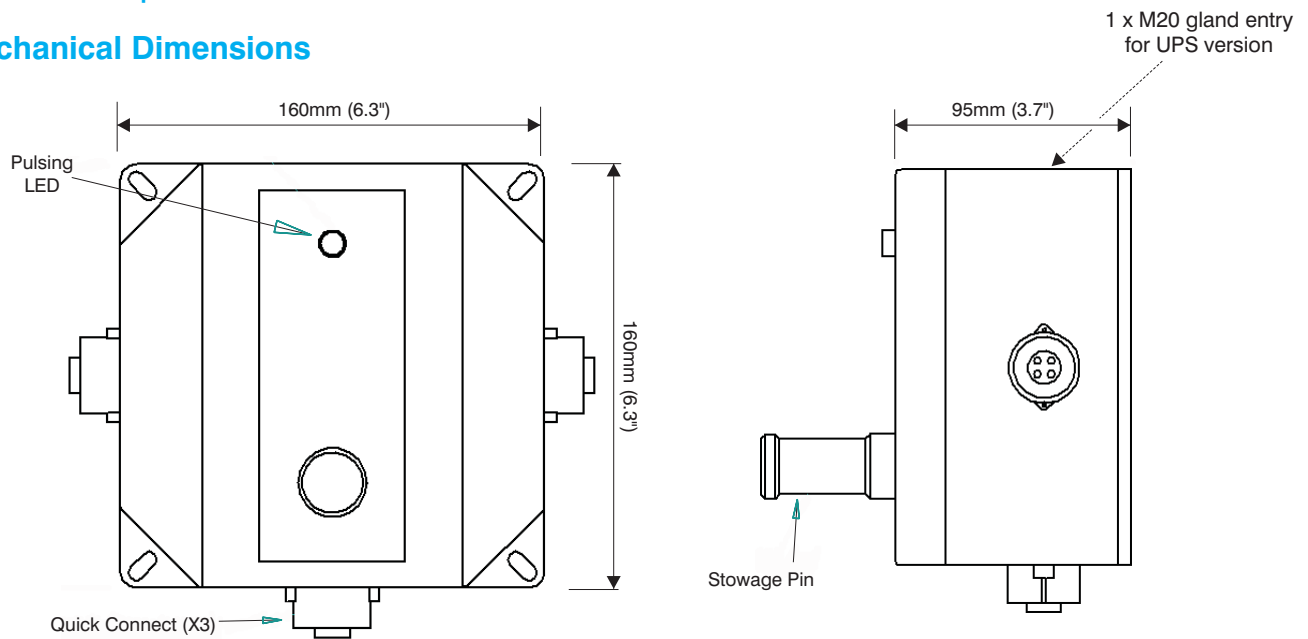


Bond-Rite® REMOTE (GRP)

Technical Specification and Certification Data

Mechanical Dimensions



Electrical and Certification Data

Bond-Rite REMOTE (GRP) Battery Powered	
Ingress Protection	IP65
Ambient Temperature Range	-40°C to +55°C
ATEX Certification	Ex ia IIC T4 Ga Ex ta IIIC T70°C Da Sira ATEX2158X
Certification No.	IECEX SIR 09.0023X
Operational Ground Resistance	10 ohm maximum
Indicator Lamp	LED: 1 green (Ground / Earth connection healthy)
Battery Supply	9V Lithium Manganese ULTRALIFE U9VL-J

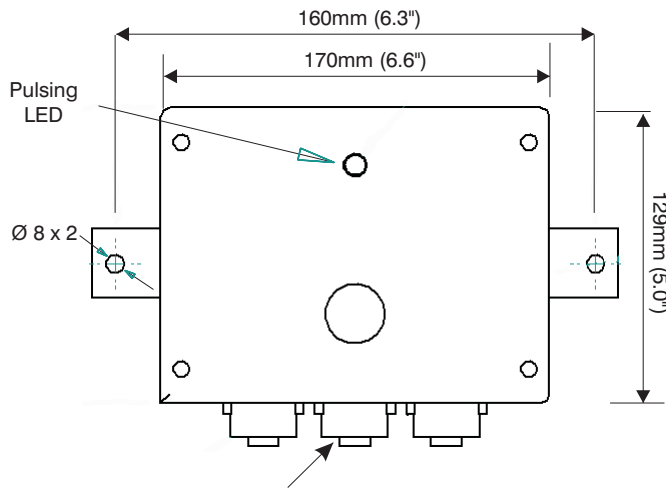
Bond-Rite REMOTE (GRP) UPS Powered	
Ingress Protection	IP65
Ambient Temperature Range	-40°C to +55°C
ATEX Certification	Ex ia IIC T4 Ga Ex ta IIIC T70°C Da Sira ATEX2158X
Certification No.	IECEX SIR 09.0023X
Operational Ground Resistance	10 ohm maximum
Indicator Lamp	LED: 1 green (Ground / Earth connection healthy)
Battery Supply	Newson Gale Universal Power Supply Unit (230/120Vac)



Newson Gale Power Supply Unit	
Ingress Protection	IP66
Ambient Temperature Range	-40°C to +55°C
ATEX Certification	Ex nA[ia] IIC T4 Gc (Ga) Ex tb IIIC T70°C Db Ex II 3(1)G II 2D
Certification No.	Sira 09ATEX2210
IECEX Certification No.	IECEX SIR 09.0089

Bond-Rite REMOTE (Stainless Steel)

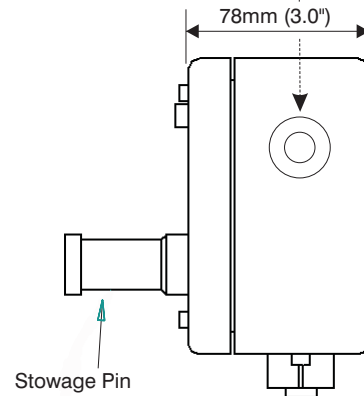
Mechanical Dimensions





For Battery Powered Version 3 x Quick Connect.

For Externally Powered Version 2 x M20 glands and 1 x Quick Connect.

For Externally Powered Version
1 x M20 gland entry for
External Power Supply



Electrical and Certification Data

Bond-Rite REMOTE (Battery Powered)	
Ingress Protection	IP65 / NEMA 4X
Maximum Ambient Temperature	-20°C to +40°C
Certification	EEx ia IIC T4 II 1GD
Monitoring Circuit	Intrinsically Safe (certificate No. SIRA 00ATEX2199X)
FM Approval	Intrinsically Safe
 CSA Approval 	CL I Div 1 Groups A,B,C,D
	CL II Div 1 Groups E,F,G
Operational Ground Resistance	CL III
	T4
Indicator Lamp	Intrinsically Safe
	CL I Div 1 Groups A,B,C,D
	CL II Div 1 Groups E,F,G
	CL III Div 1
	T4
	10 ohm maximum
	LED: 1 green (Ground / Earth connection healthy)

The Bond-Rite REMOTE is compliant with the static monitoring threshold of 10 Ohms as recommended by the CLC/TR: 50404, NFPA77 & API 2007.

The Bond-Rite REMOTE forms part of the Bond-Rite range of Static Grounding and Bonding Equipment available from Newson Gale

Bond-Rite REMOTE (EP) Power Supply / Interface Unit

Enclosure	
Ingress Protection	IP65 / NEMA 4X
Maximum Ambient Temperature	-20°C to +40°C
Construction	Polycarbonate
Power Supply	110 or 230V ± 10%, 50/60Hz
Power Rating	<10 watt
Cable Entries	Entries to be drilled on site

Power Supply PCB	
Output Circuit	Intrinsically Safe
Certification	CL I Div 1 & 2, Groups A,B,C,D
	CL II Div 1 & 2, Groups E,F,G
	CL III
	ATEX EEx ia IIC T4 II 1GD
Approval Authority	FM & SIRA

Bond-Rite REMOTE (EP) Unit

Enclosure	
Ingress Protection	IP65 / NEMA 4X
Maximum Ambient Temperature	-20°C to +40°C
Cable Entry	1 off 0.78" dia.

Monitoring PCB	
Monitoring Circuit	Intrinsically Safe
Certification	CL I Div 1 & 2, Groups A,B,C,D
	CL II Div 1 & 2, Groups E,F,G
	CL III
	ATEX EEx ia IIC T4 II 1GD
Approval Authority	FM & SIRA
Operational Ground Resistance	10 ohm maximum
Indicator Lamp	LED, 1 green (Ground / Earth connection healthy)



Leading the way in hazardous area static control

www.newson-gale.com

Newson Gale Inc
460 Faraday Avenue
Unit B, Suite 1
Jackson, NJ 08527
USA

Tel: +1 732 987 7715

Fax: +1 732 791 2182

Email: groundit@newson-gale.com

Newson Gale Ltd
Omega House
Private Road 8
Colwick, Nottingham
NG4 2JX, UK

Tel: +44 (0)115 940 7500

Fax: +44 (0)115 940 7501

Email: groundit@newson-gale.co.uk